



DTEN D7X 75"

Android Edition

Product Guide

Packing List

1. DTEN D7X 75" Android Edition x 1

2. Wall Mount Brackets x 1

* The bracket pieces are stored at the bottom of the box (beneath the foam).

3. Stylus x 1

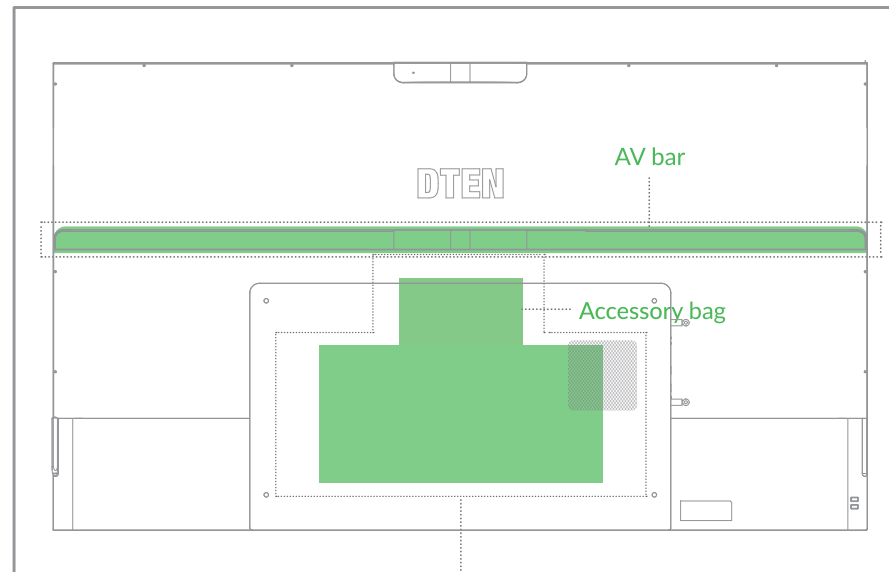
4. Power cord x 5 (Type B,D,F,G,I)

5. USB-C to USB-C Cable x 1

6. Antenna x 2

⚠ Do not disassemble the D7X without the supervision of a DTEN technician. Improper use may be subject to voiding the warranty.

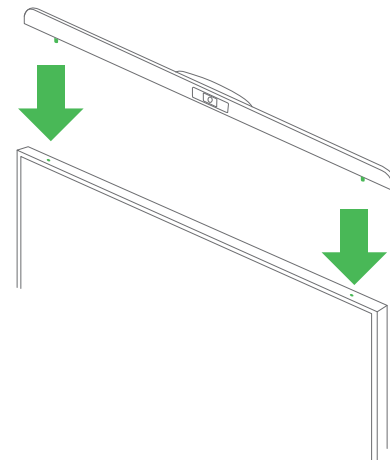
What's Inside



Quick Setup

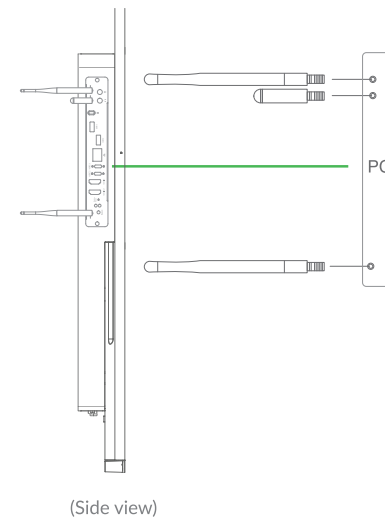
STEP 1

Install the AV bar.



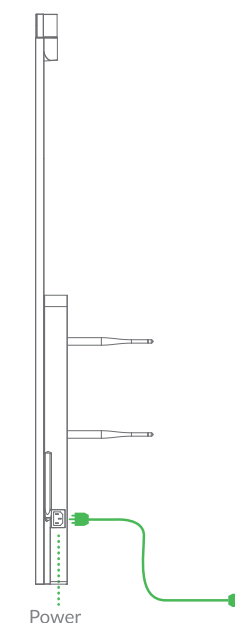
STEP 2

Install the antennas.



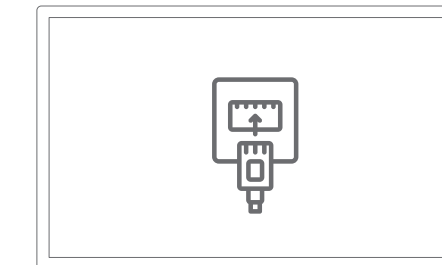
STEP 3

Plug in the power cord to the outlet. The display will turn on.



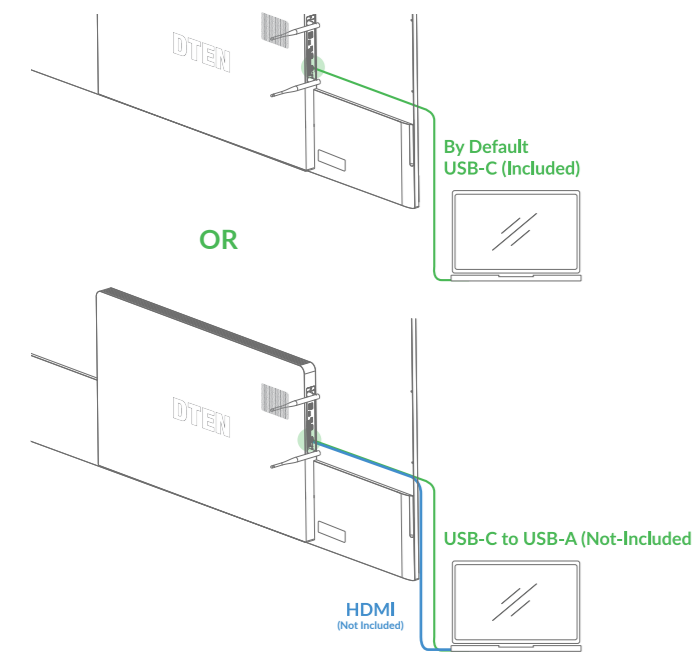
STEP 4

Follow the instructions on-screen to set up the network. Ethernet connection is preferred.



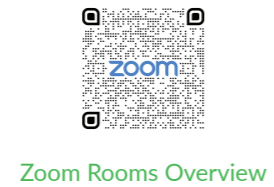
BYOD Function with DTEN Smart Connect

Access the DTEN D7X camera system, microphone array, speakers and touchscreen as peripherals from an attached computer



Setup and Enrollment with DTEN Orbit

1. The DTEN D7X may need to update to the latest version for the first-time startup. Please ensure the internet connection is stable during startup and update process. An ethernet connection is recommended.
2. Activate and register the DTEN D7X on DTEN Orbit for device and user management services.
3. Ensure the local area network allows the DTEN D7X to be connected. Check with your network security team for instructions. Scan the QR code below for DTEN Network Whitelist Requirements.
4. The D7X requires an active software license to connect to Zoom Rooms, Microsoft Teams or other VC providers' software. For more information, visit the service provider's website.

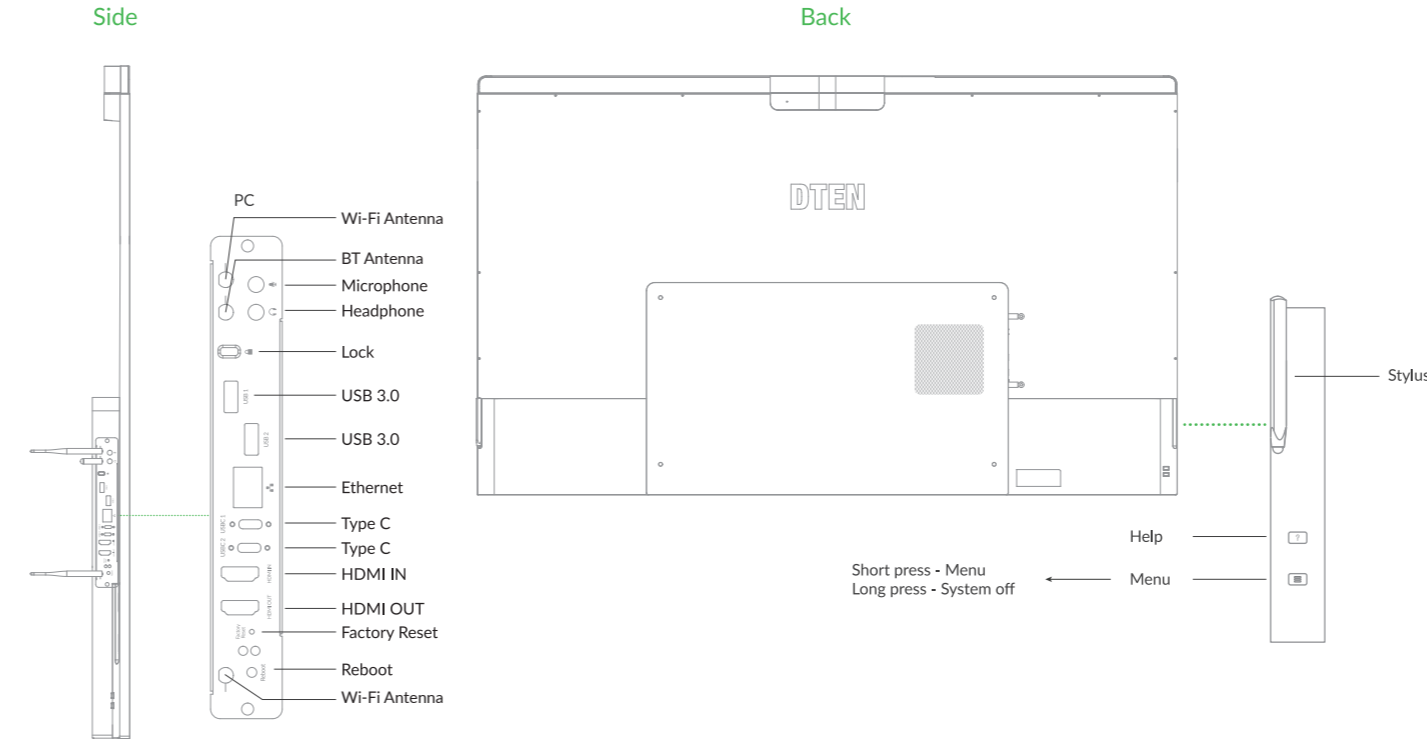


Tips

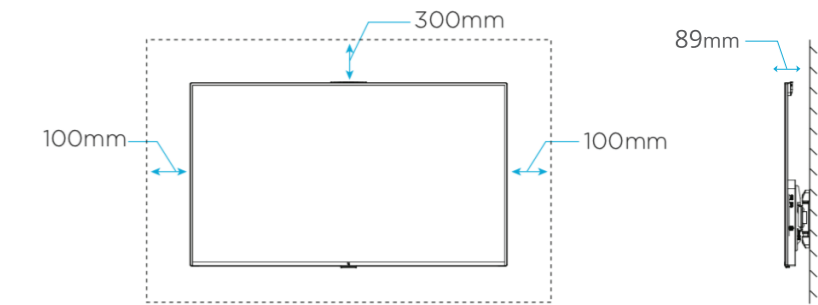
1. An ethernet connection is preferred for the best meeting experience.
2. Please do not disconnect the power without first properly shutting down the D7X.
3. Do not attempt to disassemble the DTEN D7X without the instruction of a certified DTEN service provider. Unauthorized disassembly or service may void your warranty.
4. The D7X is compatible with many meeting room controllers, document cameras, audiovisual systems and other 3rd party peripherals. Consult the respective manufacturer instructions for setup and pairing information.

If you have any questions, feel free to contact us. ✉ SUPPORT@DTEN.COM ☎ +1.866.936.3836

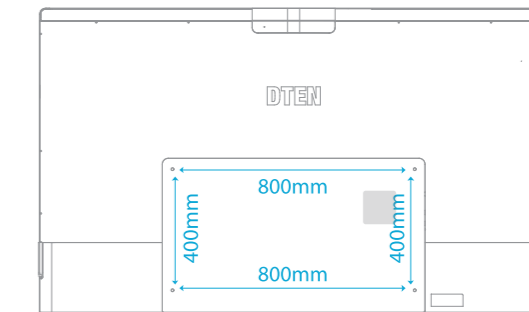
Port Diagram



Mounting Instructions



Mounting Hole Pattern: 800mm x 400mm



▲ Note: Contact a professional for assistance when wall mounting your display. We are not responsible for any damage to the product or injury to yourself. Do not power on the display when performing wall mount installation. It may cause personal injury due to electric shock.

Specifications

Model	D7X 75"
VESA	400 mm x 800 mm
Standard Screw	∅ 6 mm x 18 mm
Number of Screws	4 pcs

Model:DBR1475