

DTEN ME Stand

Create the Ideal Desktop Setup for DTEN ME



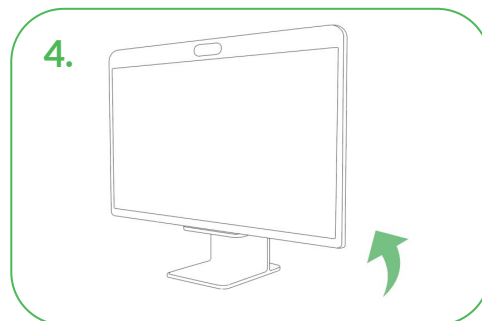
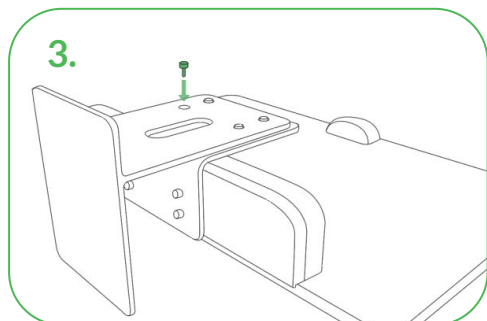
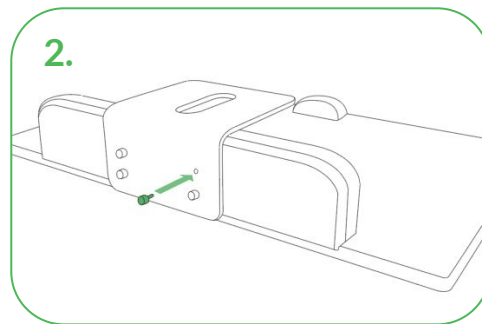
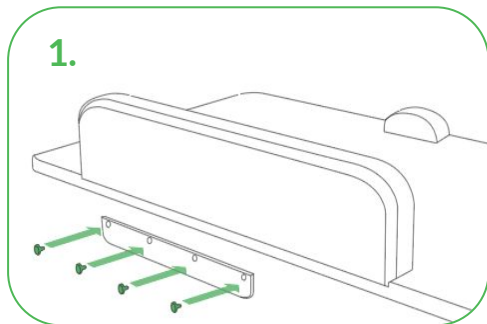
Elegantly Designed for Better Ergonomics and Versatility

DTEN ME Stand blends comfort and style to create the ideal comfortview for the DTEN ME.

Its trim profile perfectly complements the elegant, modern look of the DTEN ME creating an ideal desktop set up

- Better Ergonomics
- Modern Design
- Simple Setup

Easy Installation and Adjustment



100x100mm hole pattern for compatibility with most standard VESA desktop and wall mounts

Easy hand-turn screws - no tools required

Product Dimensions:

8.27 x 6.29 x 9.45 in
(210 x 160 x 240 mm)

Product Weight:

3.74 lb (1.7 kg)