



# Small Room Solution

## SOLUTION OVERVIEW

Instantly Transform Small Meeting Spaces into Dynamic and Efficient Collaborative Environments for Zoom Rooms and Microsoft Teams (upcoming) with Easy BYOD

The DTEN Small Room Solution includes the new All-in-One **DTEN Bar** paired with the award-winning **DTEN Mate** Room Controller for professional and convenient video meetings that's intuitive to use, quick to set-up and simple to manage.

## Superior Quality, Innovative Design & Ease of Use

The DTEN Small Room Solution supercharges hybrid video meeting experiences with a professional set of high-performing audio, video, and presentation-ready features packed into an intuitive and easy to use system.

- Professional AI-powered audiovisuals on any display
- Mount horizontally above or below, or vertically between two displays
- One-touch to Start Video Meetings with DTEN Mate WiFi or DTEN Mate PoE
- Easy Content Sharing with Included 6' (1.8m) USB-C BYOD Cable
- Enterprise-level Security and Networking Options



## An Optimized Solution for Small Rooms

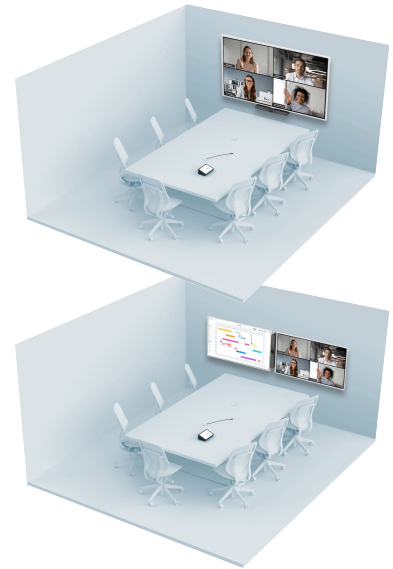
The DTEN Small Room Solution is ideal for small meeting rooms spaces up to 15 x 15' (4.5m x 4.5m) with support for up to 6 in-room participants.

From the ground up, the DTEN Small Room Solution has been designed to support the future of hybrid meetings, with support for the latest AI-assisted video and audio enhancements from Zoom Rooms, including Zoom Rooms' Smart Gallery feature for more immersive meeting experiences.

Careful design considerations have been given to ensure video meetings are intuitive and the technology enhances the way we meet, every day.

- An automatic privacy shutter will close when the camera is not in use, and snap open when the camera is toggled in meetings
- Intuitive LED colored ring indicates in-meeting microphone status: green when the microphones are in use, red when the microphones are muted in the meeting
- The premium 8MP 4K Camera is ideal for use with Zoom Rooms Smart Gallery feature, providing ample video resolution for the software to slice, dice and optimize smart framing for each in-room participant
- Comprehensive AI-assisted 12-microphone array is optimized for Zoom Rooms' noise cancellation software for distraction-free meetings
- Powerful 15W (30W output) stereo speakers provide ample coverage for small meeting spaces

### DTEN SMALL ROOM SOLUTION



**Small Rooms**  
15 x 15'  
(4.5m x 4.5m)



**Single or Dual Display Configurations**

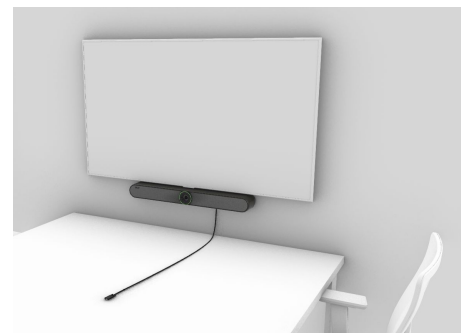


**Up to 6 In-room Participants**

## Simplified Single-Cable Content Sharing

For professional presentations and easy content sharing, the DTEN Small Room Solution includes a 6ft (1.8m) USB type-C cable, enabling full-function, two-way BYOD with 65W charging capability at the tabletop.

Additionally, the DTEN Small Room Solution supports the DTEN Vue series smart cameras to instantly enhance viewer immersion and video coverage.



**Professional Video Meeting Experiences**



**Flexible Mounting Options**



**One-touch to Start Video Meetings**



**Natively Supports Zoom Rooms Video Meetings**



**Enterprise-level Security & Networking**

## Introducing the New DTEN Bar

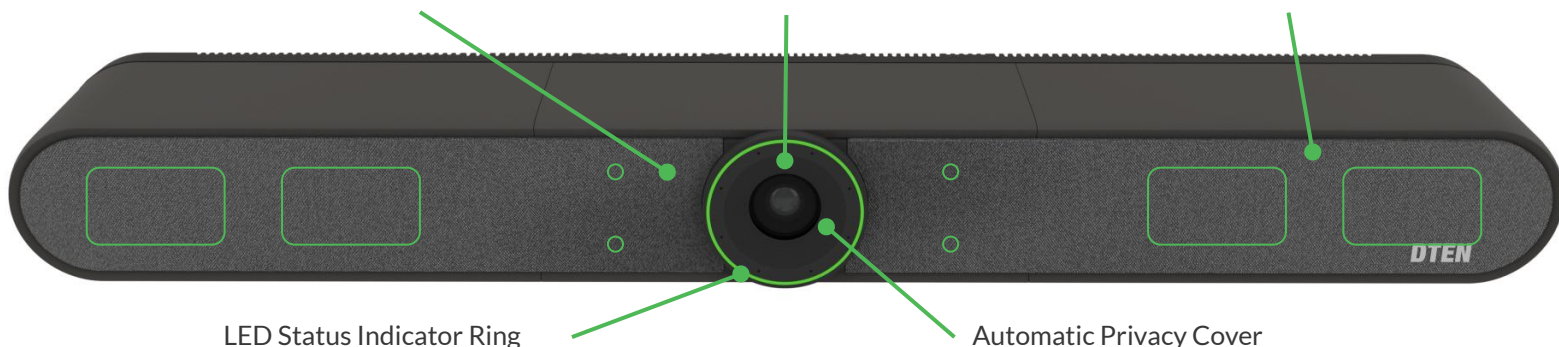
The new DTEN Bar delivers an enterprise-grade video meeting experience in a conveniently compact and flexible form factor.

### DTEN BAR DETAIL

Premium 12 Microphone Array

Professional 4K Camera

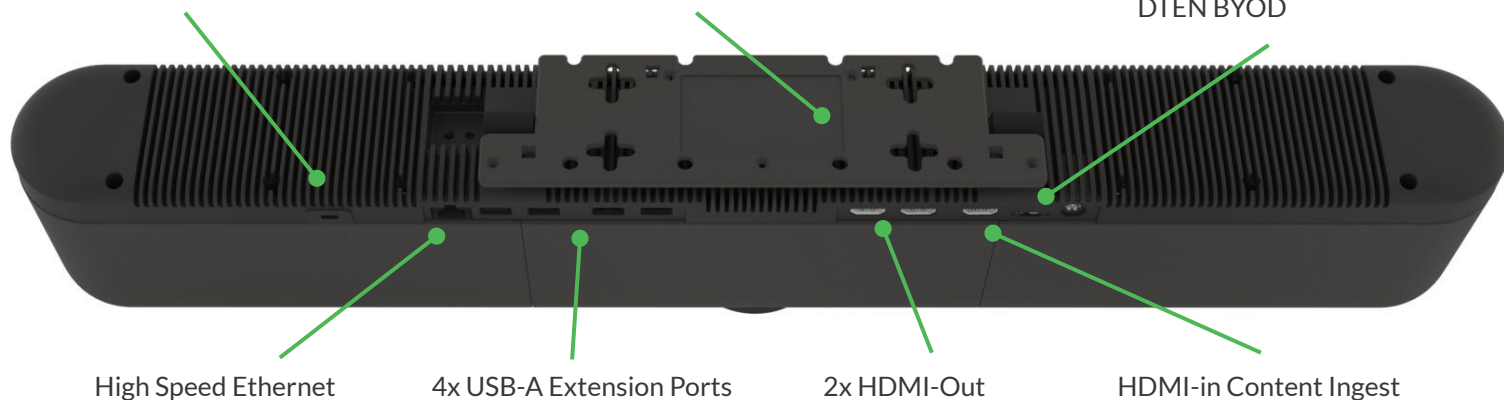
Powerful 15W Stereo Speakers (Total 30W)



Kensington Lock slot

Octa-Core (8 Core) ARM Processor

USB-C Content Ingest  
DTEN BYOD



## Compact Design, Full-size Performance

The DTEN Bar is distinguished by its superior quality, innovative design and ease of use.

- 4K 8-Megapixel (8MP) camera system with automatic privacy shutter
- Premium 12-microphone array with AI-assisted beamforming and noise cancellation
- Powerful front-facing 15W stereo speakers (30W output)
- Built-in Zoom Rooms and Microsoft Teams Rooms video meeting software
- Dual display support, with the unique ability to mount vertically between two screens for true eye-level meeting experiences

## Versatile Control and Meeting Management at the Tabletop

The DTEN Small Room Solution includes the award-winning DTEN Mate Room Controller for convenient meeting controls and management at the tabletop, available as wired PoE or WiFi.

### DTEN MATE DETAIL



**reddot award**  
product design 2022

## Just Tap to Get Started

With a single tap of the screen, users can launch meetings, admit participants, browse meeting schedules, adjust camera and microphone settings, and so much more.

- Available as Wired PoE or Wireless (WiFi)
- Convenient Meeting Controls and Management at the Tabletop
- One-touch to Start Meetings
- Browse Room Calendar and Availability
- Manage Participants (invite, mute, remove)
- Control Camera Settings & Toggle Screen Sharing
- Durable, Smudge-resistant Matte Finish

## Design Considerations for Flexibility and Convenience

The cleverly designed wall mount bracket is suitable for horizontal or vertical orientation, with an optional set screw for added security.

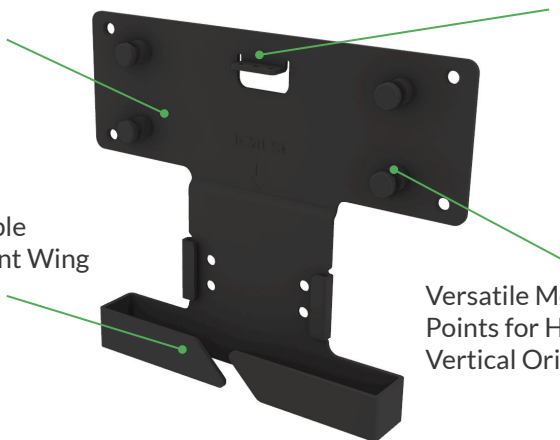
- The DTEN Bar will automatically “sense” its orientation and adjust for the room configuration, whether mounted horizontally, upside-down, or vertically between two displays.
- Clever systems design ensures optimized audio and video capture, regardless of orientation.
- Wall mount includes built-in cable management wings for a clean and professional install.
- Required mounting hardware for DTEN Bar and DTEN Mate are included in box for easy installation, right out of the box.

Slim, Low-profile Design

Secure Locking Tab

Built-in Cable Management Wing

Versatile Mounting Points for Horizontal or Vertical Orientation



### IN THE BOX



### Solution Includes:

- DTEN Bar
- DTEN Mate (PoE or WiFi)
- USB-C BYOD Cable (6ft/1.8m)
- HDMI Cable (6ft/1.8m)
- Wall Mount Kit
- Welcome Guide
- Power Cord and Power Adapters

## DTEN Orbit for Hassle-free IT

Remotely manage, update and monitor device health, reduce device downtime and get rapid tech support with DTEN Orbit, included FREE with every DTEN device.

For extended support and services, add DTEN Orbit Pro with Mission Control for remote access troubleshooting and leverage the DTEN support team to keep your rooms up to speed.



DTEN Orbit Mission Control allows DTEN support technicians remote access to keep meeting rooms up and running with automatic issue resolution and repair.





# DTEN Small Room Solution Kit

DTEN Bar  
& DTEN Mate



## SMALL ROOM SOLUTION KIT

### Kit Includes:

- DTEN Bar
- USB-C (6ft/1.8m) BYOD Cable
- DTEN Mate (PoE or WiFi), packaged separately
- HDMI (6ft/1.8m)
- Power Cord Adapter
- Wall Mount Bracket

## SPECIFICATIONS

### Small Room Kit

Part Number	DTEN Bar + Mate WiFi DCR200-Kit1SWMEA
	DTEN Bar + Mate PoE DCR200-Kit1SPMEA
Software	DTEN OS
All-in-One	4K Camera 12-Microphone Array Integrated Speakers Single-cable BYOD ( <i>USB-C Cable Included</i> )
Camera System	Fixed Lens Center Camera: 4K Field of View: 95° HFoV / 105° DHoV
Audio System	12-Element Microphone Array Integrated Stereo Speakers 2x15W (30W) Acoustic Echo Cancellation Automatic Gain Control (AGC) Automatic Noise Reduction
Power	100 to 240 VAC, 50 to 60 Hz

Inputs & Outputs	HDMI in x 1 HDMI Out x 2 USB-C x 1 ( <i>USB-C Cable Included</i> ) USB-A (2.0) x 2 USB-A (3.0) x 2 RJ-45 x 1 Kensington Lock slot x 1
Product Dimensions	3 x 26 x 4.5 in (76 x 662 x 115 mm)
Product Weight	9.5lb (4.3kg)
Package Dimensions (Packaged individually)	DTEN Bar: 29.53 x 73.68 x 7.4 in (750 x 195 x 188 mm)
Package Weight (Packaged individually)	DTEN Bar: 12.5 lb (5.66 kg)
Network	Ethernet (RJ-45) 1000 Mbps Wi-Fi 802.11a/b/g/n/ac/ax IPv4 Dynamic Host Configuration Protocol (DHCP)/ Static HTTP/HTTPS Proxy Support Bluetooth 5.0
Security	Ethernet 802.1x (EAP-MD5, EAP-TLS, EAP-TTLS, PEAP) WiFi 802.1x (EAP-MD5, EAP-TLS, EAP-TTLS, PEAP)