



D7 75" Product Guide

Packing List

1. DTEN D7 75" (Standard) X 1

2. Wall Mount Brackets X 1

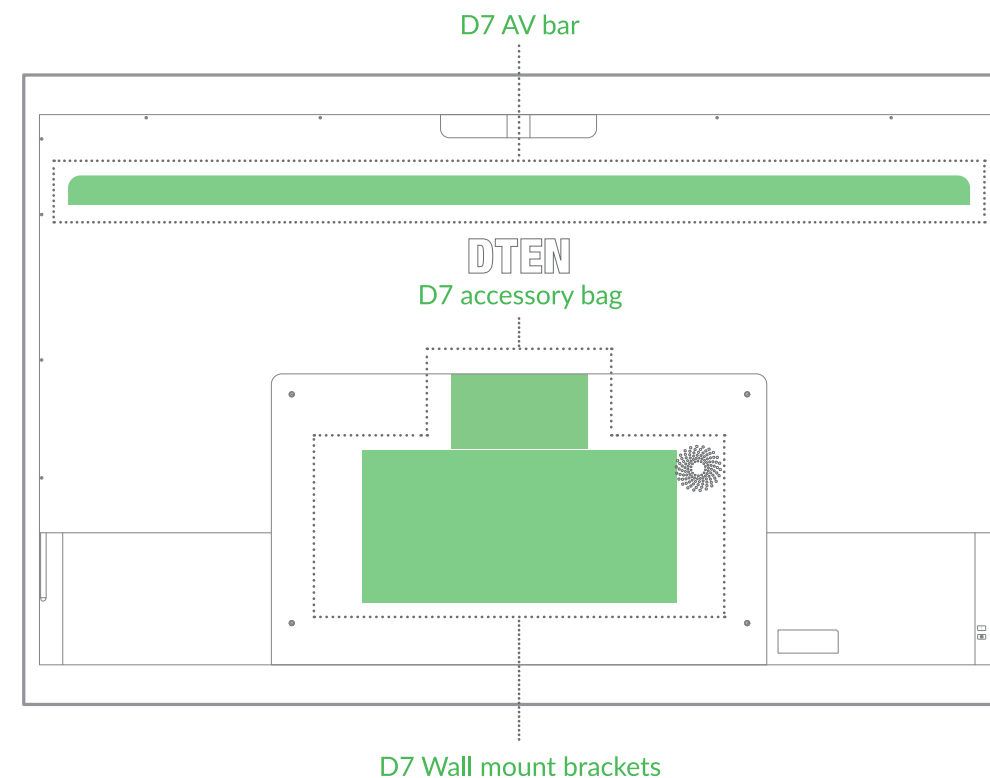
* The bracket pieces are stored at the bottom of the box (beneath the foam).

3. Stylus X 1

4. Power Cable (AC 100V-240V) X 1

⚠ Do not disassemble the D7 without the supervision of a DTEN technician. Improper use may be subject to voiding the warranty.

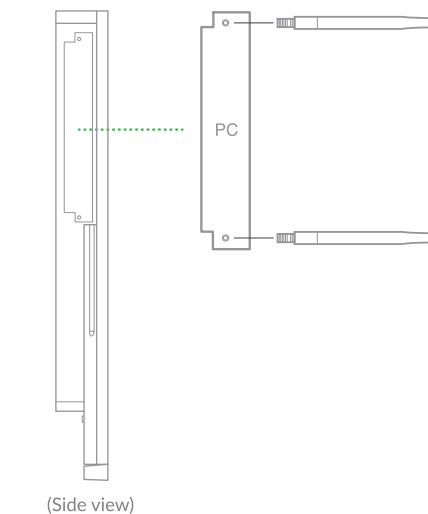
What's Inside



Quick Setup

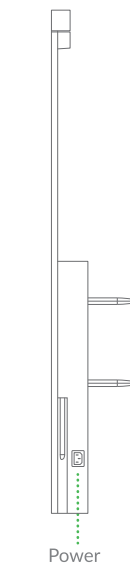
STEP 1

Install the antennas.



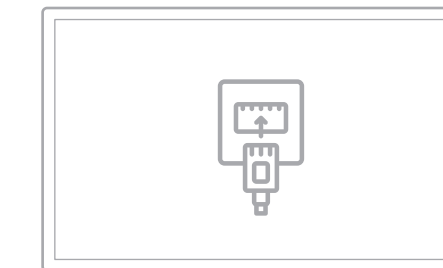
STEP 2

Plug in the power cord to the outlet.
The display will turn on.



STEP 3

Follow the instructions on-screen to set up the network.
Ethernet connection is preferred.



* For more info about the product, please visit dten.com

Zoom Rooms Setup

STEP 1 You need a Zoom Rooms account to sign in.

STEP 2 Select an existing room or create a new room.

* Please go to Zoom Help Center for more info

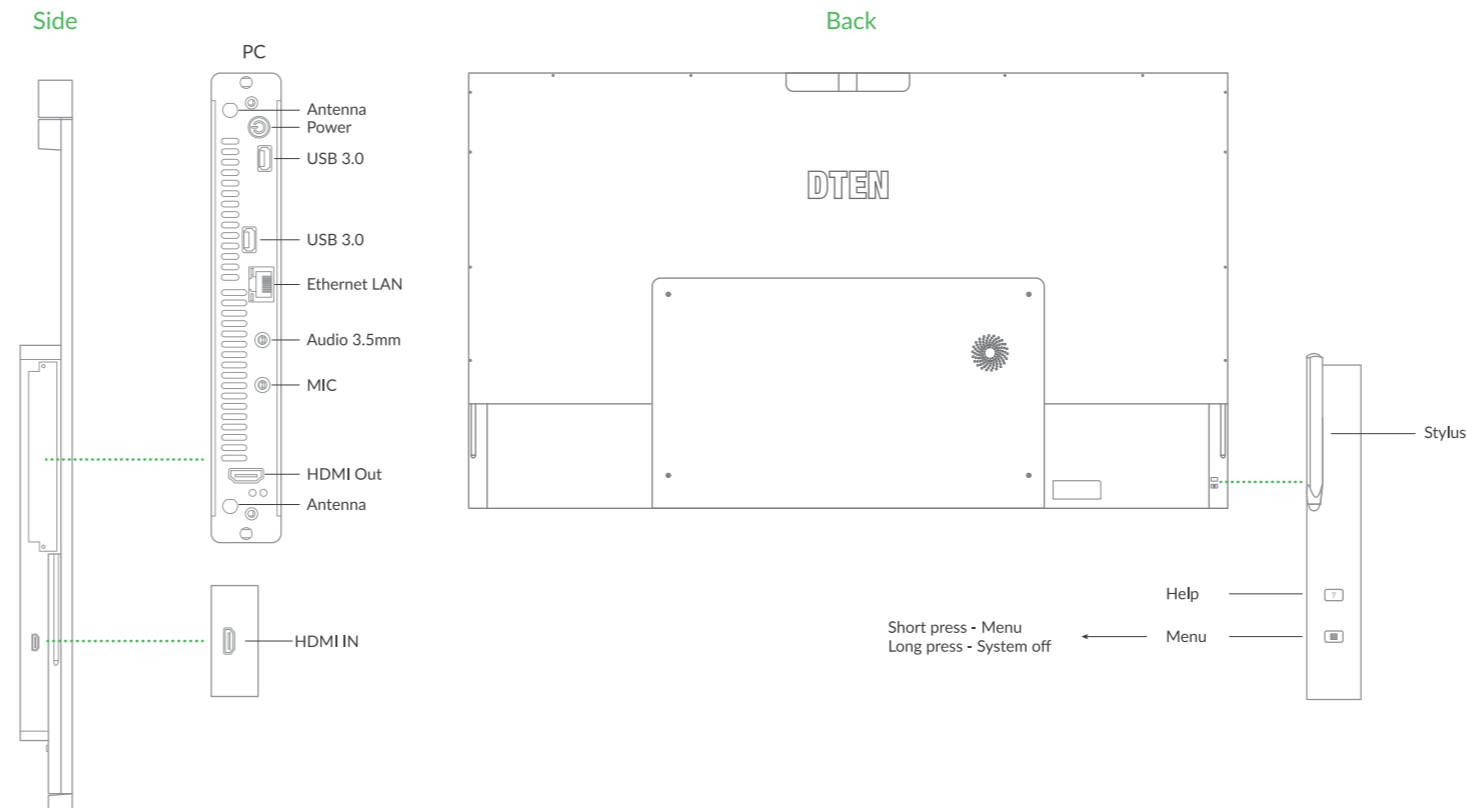
Tips

1. Ethernet connection is preferred for the best meeting experience.
2. To pair with the zoom rooms controller, please visit zoom.us.
3. Please do not disconnect the power without properly shutting down the system.
4. Do not disassemble the DTEN product without the supervision of a DTEN technician.

If you have any questions, feel free to contact us.

✉ SUPPORT@DTEN.COM ☎ +1.866.936.3836

Port Diagram



Wall Mount

