



DTEN ON 55"

Product Guide

Packing List

1. DTEN ON 55" (Standard) X 1

2. Wall Mount Brackets X 1

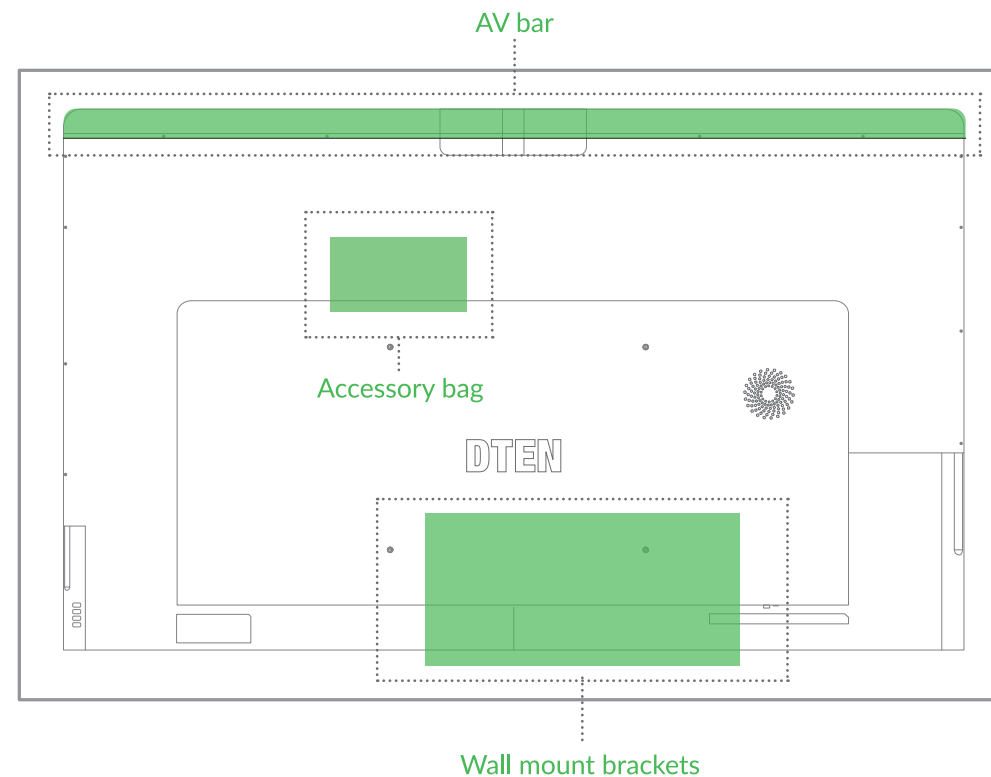
* The bracket pieces are stored at the bottom of the box (beneath the foam).

3. Stylus X 1

4. Power Cable (AC 100V-240V) X 1

⚠ Do not disassemble the DTEN ON without the supervision of a DTEN technician. Improper use may be subject to voiding the warranty.

What's Inside



Quick Setup

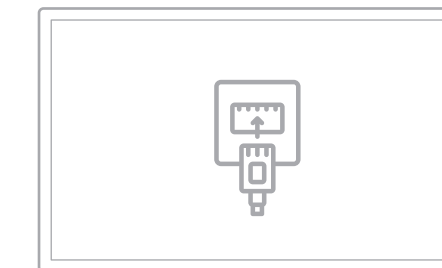
STEP 1

Plug in the power cord. The display should be turned on.



STEP 2

Follow the instructions on-screen to set up the network. Ethernet connection is preferred.



* For more info about the product, please visit dten.com

Zoom Rooms Setup

STEP 1 You need a Zoom Rooms account to sign in.

STEP 2 Select an existing room or create a new room.

* Please go to Zoom Help Center for more info

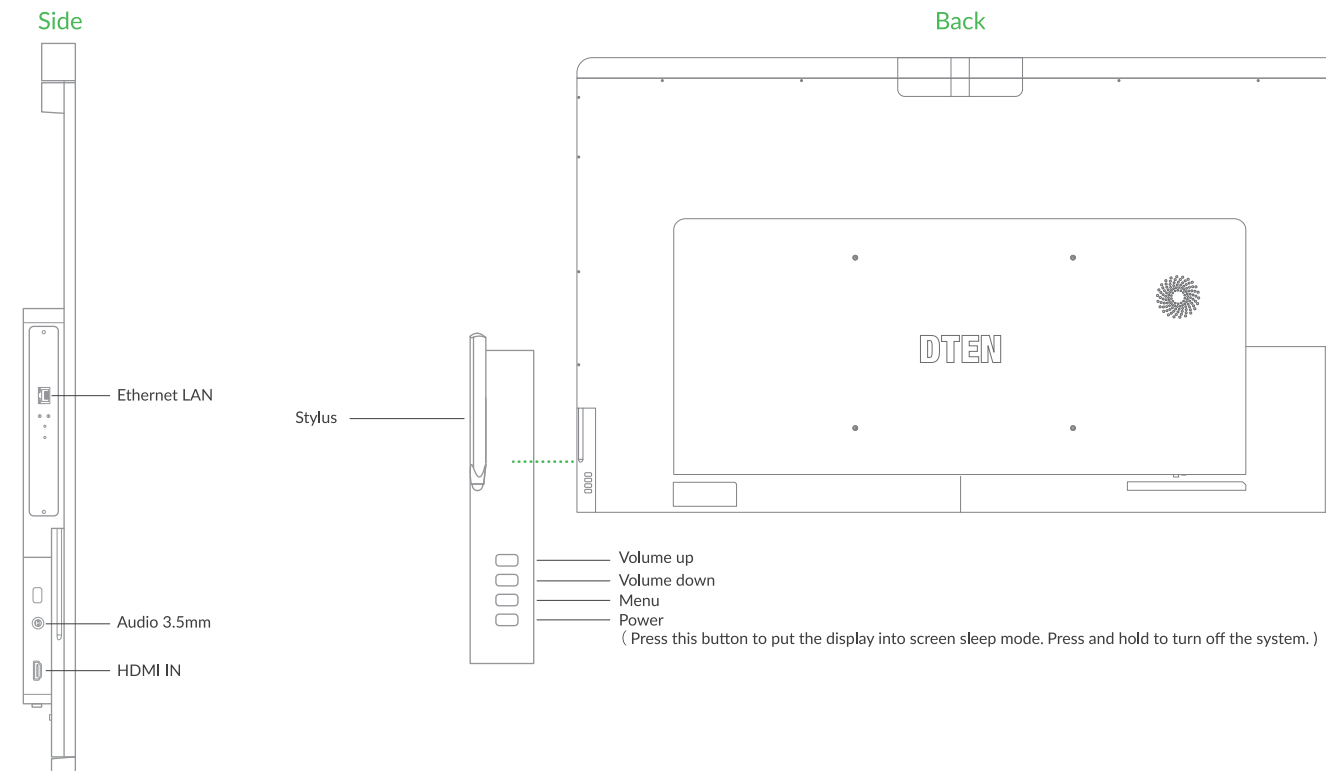
Tips

1. Increase the volume to the max using the volume button (the first button at the back of the unit).
2. Ethernet connection is preferred for the best meeting experience.
3. To pair with the zoom rooms controller, please visit zoom.us.
4. Please do not disconnect the power without properly shutting down the system.
5. Do not disassemble the DTEN product without the supervision of a DTEN technician.

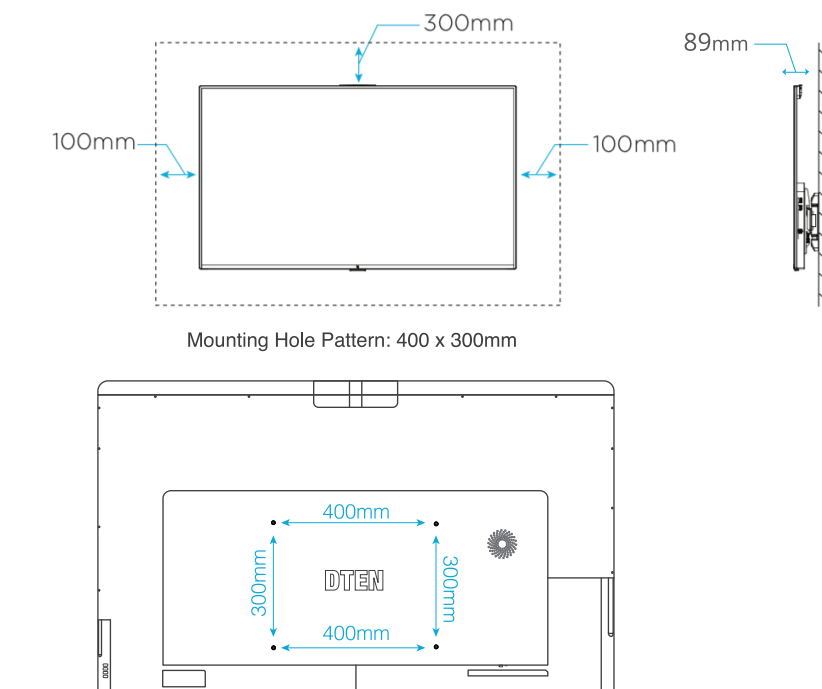
If you have any questions, feel free to contact us.

✉ support@den.com ☎ +1.866.936.3836

Port Diagram



Wall Mount



⚠ Note: Contact a professional for assistance when wall mounting your display. We are not responsible for any damage to the product or injury to yourself. Do not power on the display when performing wall mount installation. It may cause personal injury due to electric shock.